

VZ 200/300

HUNTER VALLEY

VZ JOURNAL

ED ADDRESS CHANGE  
DEFINING VARIABLES  
FAST BASIC  
DOUBLE PRECISION  
144K-528K EXPANSION

**HELP - SELL & TELL** Page 3

**JOURNAL EDITOR ADDRESS CHANGE** Page 3

**DEFINING VARIABLES** Page 4

A BIT ABOUT DEMYSTIFYING VARIABLE TYPES AND NUMBER OF AVAILABLE VARIABLES.

**POKING TO BETTER BASIC** Pages 5-6  
**BY JOE LEON**

CONTINUING WITH VARIABLES BUT USING THE POKE FUNCTION TO DEFINE SOME MORE.

**SINGLE TRACK FORMATTER** Pages 7-9  
**BY DAVE MITCHELL**

THE SOURCE CODE IS PRESENTED FOR ED/ASSEMBLER USERS. LABEL II HELD OVER TILL NEXT ISSUE DUE TO SPACE LIMITATIONS.

**FAST BASIC PART I** Pages 10-12  
**BY BOB KITCH**

A NEW SERIES BY BOB EXPLAINING BASIC PROGRAM STRUCTURE IN MEMORY AND HOW TO USE MACHINE CODE FROM AND WITHIN BASIC.

**RENEWING PRINTER RIBBONS** Pages 13-14  
**BY JOHN LUXTON**

JOHN GIVES US SOME TIPS ON HOW TO CUT PRINTER RIBBON COST CONSIDERABLY.

**DOUBLE PRECISION ARITHMETIC** Page 14  
**BY NEVILLE HUGHES**

NEVILLE HAS DISCOVERED HOW TO GET BETTER ACCURACY WITH DOUBLE PRECISION MATHS.

**DOUBLE PRECISION ADDENDUM** Pages 14-15

**DOUBLE PRECISION IN USE** Page 15

**VZ 144K-528K MEMORY EXPANSION** Pages 16-18  
**BY JOE LEON**

INCREASING MEMORY IS GETTING A LOT CHEAPER THESE DAYS AND I HAVE INCREASED MINE TO 144K AND IT CAN BE TAKEN A GREAT DEAL HIGHER STILL.

**DAVE MITCHELL SOFTWARE SALE** Page 19  
**PATCH3.3 - EXT DOS & MENU/FILE COPIER**

**PETER HICKMAN SOFTWARE SALE** Page 19  
**VZ MODEM & M/C DISASSEMBLER**

**USER GROUPS \* NEWS \* SUBSCRIPTIONS** Page 20

**APOLOGIES:**

VZ LOTTO DISK MODS HELD OVER TILL NEXT ISSUE DUE TO LACK OF TIME, Ed.

**DISCLAIMER:** EVERY EFFORT IS MADE TO INSURE THE ACCURACY OF INFORMATION CONTAINED WITHIN BE IT GENERAL, TECHNICAL, PROGRAMMING, ETC. NO RESPONSIBILITY CAN BE ACCEPTED BY HUNTER VALLEY VZ USERS' GROUP OR AUTHOR AS A RESULT OF APPLYING SUCH INFORMATION IN PRACTICE.

**COPYRIGHT:** THE HUNTER VALLEY VZ JOURNAL IS SUBJECT TO COPYRIGHT AND NO MATERIAL IN THE JOURNAL MAY BE REPRODUCED IN PART OR WHOLE WITHOUT THE CONSENT OF THE HUNTER VALLEY USERS' GROUP OR THE AUTHOR WHO RETAINS COPYRIGHT.

**EDITOR ADDRESS CHANGE:**

AS SOME OF YOU MAY BE AWARE MY HOUSE HAS BEEN SOLD AND I'LL BE MOVING OUT IN A FEW WEEKS TIME. TILL I GET SETTLED IN MY NEW PLACE PLEASE SEND ALL MAIL MEANT FOR ME OR THE CLUB TO:

**J.P. LEON or H.V. VZ. U.G.  
PO BOX 161 JESMOND 2299**

I'LL ADVISE MY NEW ADDRESS AND PHONE NUMBER IN A FUTURE ISSUE. IN THE MEANTIME TRY THE OLD NUMBER OR WRITE TO THE PO BOX NUMBER.

GETTING READY TO MOVE HAS BEEN VERY TIME CONSUMING AND TIRING AND AS A RESULT I'M WAY BEHIND IN ANSWERING MAIL AND BUILDING PLANNED PROJECTS. IT WILL TAKE ME A WHILE TO CATCH UP, SO PLEASE BE PATIENT AND I'LL GET BACK TO YOU AS SOON AS I CAN, ED.

**WANTED TO BUY/EXCHANGE:**

WANTED TO BUY VZ 300 IN GOOD WORKING ORDER OR WILL TRADE VZ 200 FOR VZ 300. IF YOU CAN HELP PLEASE CONTACT:

STEPHEN GAYST  
12/43 JOHNSON STREET CHATSWOOD 2067  
PHONE: (02) 411 6791

**DISK PROBLEM 1 BY BEN HOBSON:**

I BOUGHT A PACK OF DSE RED SPOT DISKS AND THE WRITE PROTECT TABS WERE THE ALUMINIUM TYPE. WHEN PUT ON A DISK, IT WOULDN'T FIT IN THE DRIVE. **THE ULTIMATE WRITE PROTECT.**

**SOLUTION:** IF YOU HAVE SIMILIAR PROBLEMS WITH YOUR DISKS THEN TRY THINNER WRITE PROTECT TABS.

**DISK PROBLEM 2:**

ROSS WOODS HAD PROBLEMS WITH NASHUA DISKS WHICH WOULD GIVE READ/WRITE PROBLEMS WHEN USED WITH THE VZ MOST OF THE TIME. NO PROBLEMS WITH FLIP SIDE OF DISK THOUGH.

**COMPUTEC DISKS FROM KMART:**

I BOUGHT SEVERAL BOXES OF THESE DISKS AND MOST WERE CONCAVE EVEN THOUGH THEY CAME IN STURDY PLASIC CASES. NEEDLESS TO SAY I FOUND THEM TO BE UNRELIABLE FOR USE WITH THE VZ.

**SOLUTION:** TRY DIFFERENT BRAND OF DISK IF THE BRAND YOU'RE USING IS CONSTANTLY GIVING YOU READ/WRITE PROBLEMS.

**FINAL VZ CLEARANCE SALE:**

DICK SMITH IS HAVING A VZ CLEARANCE SALE AT ITS PENRITH STORE WHICH STARTED ABOUT MID JULY. NOT MUCH IN THE WAY OF HARDWARE I BELIEVE, MAINLY SOFTWARE. I HAVEN'T HAD A CHANCE TO GO DOWN AS YET FOR A LOOK SEE.

FOR MORE DETAILS CONTACT:

DICK SMITH - PENRITH STORE - PHONE: (047) 323 400

SOME STORES MAY STILL HOLD SOME STOCKS OF VARIOUS VZ ITEMS BUT THEY'LL BE FEW AND FAR BETWEEN. VZ 300's, DISK DRIVES AND CONTROLLERS ARE ABOUT NON EXISTENT AS FAR AS I KNOW. THE TIME IS NEARLY HERE WHEN THE ONLY SUPPORT VZ USERS WILL HAVE IS FROM VZ USER GROUPS AND PUBLICATIONS AND HOW LONG THEY CONTINUE TO EXIST IS UP TO YOU.

## VARIABLES

THERE ARE THREE VARIABLE TYPES IN COMMON USE WHICH ALL OF YOU SHOULD BE FAMILIAR WITH, WHICH ARE:

A-Z - SINGLE PRECISION VARIABLES.  
 A\$-Z\$ - STRING VARIABLES.  
 A%-Z% - INTEGER VARIABLES.

THIS GIVES US 78 VARIABLES, 26 IN EACH RANGE, BUT CAN BE INCREASED TO MANY HUNDREDS BY USING TWO CHARACTER VARIABLES, EG:

A0-A9 - AA-AZ - A0\$-A9\$ - AA\$-AZ\$ - A0%-A9% - AA%-AZ%  
 B0-B9 - BA-BZ - B0\$-B9\$ - BA\$-BZ\$ - B0%-B9% - BA%-BZ%  
 C0..... Y0..... CA..... YA..... ETC.....  
 Z0-Z9 - ZA-ZZ - Z0\$-Z9\$ - ZA\$-ZZ\$ - Z0%-Z9% - ZA%-ZZ%

NOTE: A NUMBER CANNOT BE USED AS A VARIABLE BUT CAN BE USED AS SECOND CHARACTER IN A VARIABLE AS THE EXAMPLES ABOVE SHOW.

THAT GIVES US ANOTHER 2808 VARIABLES FOR A TOTAL OF 2886, MANY MORE THAN YOU'LL EVER USE. THAT BY NO MEANS IS ALL THE VARIABLES AVAILABLE TO THE VZ USER. ALL THE SINGLE PRECISION VARIABLES STARTING WITH A-Z CAN BE DEFINED (CHANGED) TO ONE OF FOUR VARIABLE TYPES, SEE POKING TO BETTER BASIC ARTICLE FOR AN EXPLANATION.

I'VE SEEN THREE OR MORE CHARACTERS USED FOR A VARIABLE NAME, BUT I STRONGLY ADVISE AGAINST ITS USE AS IT CAN GET YOU INTO TROUBLE, EG:

```
10 ABC=12345:ABD=23456:ABZ=34567:PRINT ABC;ABD;ABZ
34567 34567 34567
```

ONLY THE FIRST TWO CHARACTERS IN A VARIABLE NAME ARE VALID AND IN ABOVE EXAMPLE THE VZ ONLY RECOGNISES 'AB' WHICH ALL THREE VARIABLES SHARE, SO ABC & ABD = ABZ BECAUSE ABZ WAS THE LAST ONE DEFINED.

**NOTE:** THE VZ RECOGNIZES VARIABLES A, A\$ & A% THROUGH TO Z, Z\$ & Z% AND ALL TWO CHARACTER VARIABLES STARTING WITH THE SAME FIRST CHARACTER AS ALL BEING DIFFERENT VARIABLES. THERE ARE TWO EXEPTIONS:

```
1) 10 DEFINT A
20 A=123:A%=999:PRINT A;A%
999 999
```

BOTH 'A' & 'A%' HAVE BEEN DEFINED AS AN INTEGER VARIABLE WHICH MEANS BOTH VARIABLES ARE SAME. SO A = A% AND 999 GETS PRINTED.

DO NOT MIX DEFINT A-Z AND A%-Z% IN THE SAME PROGRAM.

```
2) 10 DEFSTR B
20 B="TEST 1 ":B$="TEST 2 ":PRINT B;B$
TEST 2 TEST 2
```

BOTH 'B' & 'B\$' HAVE BEEN DEFINED AS A STRING VARIABLE WHICH MEANS BOTH VARIABLES ARE THE SAME. SO B = B\$ AND TEST 2 GETS PRINTED.

DO NOT MIX DEFSTR A-Z AND A\$-Z\$ IN THE SAME PROGRAM.

**NOTE:** WHEN TWO VARIABLES ARE THE SAME, THE LAST ONE DECLARED AS IN ABOVE EXAMPLES HOLDS THE VARIABLE CONTENT BE IT NUMERIC OR TEXT.

BY JOE LEON

AS MOST OF YOU MAY BE AWARE THE VZ HAS A HOST OF HIDDEN FUNCTIONS WHICH CAN BE ASSESSED OR ACTIVATED BY HAVING AN EXTENDED BASIC PROGRAM OR EPROM INSTALLED. FOR THOSE THAT HAVEN'T EITHER A POKE OR TWO IN SOME CASES WILL DO THE SAME. THE POKE FUNCTION ALLOWS VZ USERS TO POKE (WRITE) TO A PARTICULAR MEMORY LOCATION WHICH MUST BE IN RAM.

IN THE COMMUNICATION REGION OF RAM THERE ARE 26 ADDRESSES, ONE ADDRESS FOR EACH VARIABLE FROM A TO Z WHICH CAN BE DEFINED (CHANGED) IN TWO WAYS FROM BASIC. ONE IS USING THE EXTENDED BASIC FUNCTIONS **DEFINT**, **DEFSTR**, **DEFSNG** and **DEFDBL**.

THE OTHER IS USING POKE FUNCTION TO POKE ONE OF FOUR VARIABLE TYPE VALUES. BELOW IS A LIST OF THE FOUR DEFINE FUNCTIONS, THEIR VALUES AND THE VARIABLES A TO Z AND THEIR PEEK/POKE ADDRESSES.

**DEFINT=2 DEFSTR=3 DEFSNG=4 DEFDBL=8**

VAR - POKE ADDRESS	VAR - POKE ADDRESS
A = POKE 30977	N = POKE 30990
B = POKE 30978	O = POKE 30991
C = POKE 30979	P = POKE 30992
D = POKE 30980	Q = POKE 30993
E = POKE 30981	R = POKE 30994
F = POKE 30982	S = POKE 30995
G = POKE 30983	T = POKE 30996
H = POKE 30984	U = POKE 30997
I = POKE 30985	V = POKE 30998
J = POKE 30986	W = POKE 30999
K = POKE 30987	X = POKE 31000
L = POKE 30988	Y = POKE 31001
M = POKE 30989	Z = POKE 31002

TYPE IN THE LITTLE PROGRAM BELOW AN RUN IT. YOU'LL SEE ADDRESSES 30977 TO 31002 DISPLAYED ON THE SCREEN TOGETHER WITH 4'S ALONG SIDE EACH ADDRESS. WHAT THAT MEANS IS THAT ALL VARIABLES FROM A TO Z ARE DEFINED AS DEFSNG (SINGLE PRECISION) TYPE AND IS THE DEFAULT VALUE.

```
10 CLS:FOR X = 30977 TO 31002
20 PRINT " ";X;PEEK(X);:NEXT X
```

ANYTIME YOU RUN A PROGRAM OR USE THE CLEAR FUNCTION ALL VARIABLES ARE RESET TO THEIR DEFAULT VALUES. WHAT THAT MEANS IS THAT YOU HAVE TO DEFINE THE VARIABLE TYPE SOMEWHERE IN THE PROGRAM YOURSELF.

**DEFINING INTEGER VARIABLES:**

```
10 DEFINT A OR 10 POKE 30977,2
20 REM DEFINES AS INTEGER ANY VARIABLE STARTING WITH 'A'
30 A=12345.123:AB=12345.987:PRINT A;AB
12345      12345
```

**NOTE:** INTEGER = ANY WHOLE NUMBER WITH NO FRACTIONS OR DECIMAL PLACES IN THE RANGE OF -32768 TO 32767. INTEGER ONLY HANDLES WHOLE NUMBERS WITH NO ROUNDING OFF. A%-Z% CAN BE USED ALSO, BUT AS MENTIONED BEFORE, DO NOT USE DEFINT A-Z AND A%-Z% IN THE SAME PROGRAM.

**DEFINING STRING VARIABLES:**

```

10 DEFSTR B OR 10 POKE 30978,3
20 REM DEFINES AS STRING ANY VARIABLE STARTING WITH 'B'.
30 B="HELLO":BC="12345":PRINT B;BC
HELLO 12345

```

**NOTE:** STRING = ANY TEXT, NUMERIC OR GRAPHIC CHARACTER/S WHICH ARE ENCLOSED WITHIN QUOTES, EG: ("TEXT 1"). NO '\$' SIGN AFTER B OR BC. A\$-Z\$ CAN BE USED ALSO, BUT AS MENTIONED BEFORE, DO NOT USE DEFSTR A-Z AND A\$-Z\$ IN THE SAME PROGRAM.

**DEFINING SINGLE PRECISION VARIABLES:**

```

10 DEFSNG C OR 10 POKE 30979,4
20 REM DEFINES AS SINGLE PRECISION ANY VARIABLE STARTING WITH 'C'
30 C=1.23456:C0=9.87654:CA!=4.567:PRINT C;C0;CA!
1.23456 9.87654 4.567

```

**NOTE:** SINGLE PRECISION = 6 DIGIT NUMERIC ACCURACY. UP TO 6 DECIMAL PLACES ARE SHOWN.

**DEFINING DOUBLE PRECISION VARIABLES:**

```

10 DEFDBL D OR 10 POKE 30980,8
20 REM DEFINES AS DOUBLE PRECISION ANY VARIABLE STARTING WITH 'C'
30 C=1/3:D=1/3:PRINT C:PRINT D
1.333333
1.3333333432674408

```

**NOTE:** DOUBLE PRECISION = 16 DIGIT NUMERIC ACCURACY. FOR MORE ACCURACY ON DOUBLE PRECISION MATHS SEE ARTICLE ON DOUBLE PRECISION ARITHMETIC.

**DEFINING MORE VARIABLES:**

SO FAR I'VE SHOWN HOW TO DEFINE ONLY A SINGLE VARIABLE AT A TIME. IT'S FAIRLY EASY TO DEFINE A WHOLE RANGE AT A TIME, EG:

```

10 DEFINT A-M,Q
20 FOR Z=30977 TO 30989:POKE Z,2:NEXT:POKE 30993,2

```

THE FIRST EXAMPLE IS EASY, BUT IN THE SECOND YOU HAVE TO KNOW THE ADDRESSES OF THE VARIABLES YOU WISH TO DEFINE. IT'S MORE TEDIOUS, BUT ACHIEVES EXACTLY THE SAME RESULT FOR THOSE WITHOUT AN EXTENDED BASIC PROGRAM OR EPROM.

IN PRACTICE YOU WOULD USE THE '\$' AND '%' TO DEFINE YOUR VARIABLES AS THEY ARE EASY TO SEE AND UNDERSTAND. DOUBLE PRECISION HAS TO BE DEFINED EITHER BY A POKE OR THE EXTENDED BASIC COMMAND DEFDBL.

IN CASE OF EXISTING PROGRAMS WHERE YOU'D LIKE TO DEFINE AN INTEGER ALL SINGLE PRECISION VARIABLES YOU WOULD USE ONE OF THE TWO EXAMPLES ABOVE RATHER THAN TO PHYSICALLY ADD THE '%' SIGN TO EACH.

BY DAVE MITCHELL

00001	;FORMAT TRK #	00061	LD	A, (HL)		
00002	LD	HL, ST	00062	LD	(HL3), A	
00003	LD	(788EH), HL	00063	LD	(IY+17), A	
00004	ST	DI	00064	CALL	4008H	
00005	CALL	3450H	00065	POP	AF	
00006	EI		00066	OR	A	
00007	LD	A, (IY+20)	00067	JR	Z, A1	
00008	OR	A	00068	LD	B, A	
00009	JR	Z, IPUT	00069	CALL	403BH	
00010	DI		00070	A1	IN	A, (13H)
00011	PUSH	AF	00071	BIT	7, A	
00012	CALL	4008H	00072	JR	Z, A2	
00013	POP	AF	00073	CALL	400BH	
00014	LD	B, A	00074	EI		
00015	CALL	403EH	00075	LD	HL, WP	
00016	CALL	400BH	00076	CALL	2B75H	
00017	IPUT	LD	HL, MES1	00077	CALL	0049H
00018	CALL	2B75H	00078	DI		
00019	CALL	053AH	00079	CALL	3450H	
00020	JP	C, 1DBEH	00080	CALL	4008H	
00021	LD	A, (DE)	00081	LD	BC, 0064H	
00022	CP	20H	00082	CALL	4038H	
00023	JP	Z, 1A19H	00083	JR	A1	
00024	INC	HL	00084	A2	LD	BC, 03E8H
00025	ATB	LD	B, 2	00085	CALL	4038H
00026	LD	DE, 0	00086	PUSH	IY	
00027	ATB1	LD	A, (HL)	00087	POP	HL
00028	CP	30H	00088	LD	DE, 004DH	
00029	JR	C, ATB4	00089	ADD	HL, DE	
00030	CP	3AH	00090	LD	(IY+0EH), L	
00031	JR	C, ATB2	00091	LD	(IY+0FH), H	
00032	CP	41H	00092	EX	DE, HL	
00033	JR	C, ATB4	00093	LD	HL, HL1	
00034	CP	47H	00094	LD	BC, 0018H	
00035	JR	NC, ATB4	00095	LDIR		
00036	SUB	7	00096	LD	H, D	
00037	ATB2	AND	0FH	00097	LD	L, E
00038	LD	C, B	00098	LD	(HL), 00	
00039	LD	B, 4	00099	INC	DE	
00040	ATB3	SLA	E	00100	LD	BC, 0082H
00041	RL	D	00101	LDIR		
00042	DJNZ	ATB3	00102	LD	(IY+38H), 11H	
00043	OR	E	00103	LD	BC, 0190H	
00044	LD	E, A	00104	CALL	4038H	
00045	LD	B, C	00105	LD	L, (IY+0EH)	
00046	RST	10H	00106	LD	H, (IY+0FH)	
00047	DJNZ	ATB1	00107	LD	DE, 000BH	
00048	ATB4	LD	A, B	00108	ADD	HL, DE
00049	CP	2	00109	LD	D, H	
00050	JP	NC, IPUT	00110	LD	E, L	
00051	LD	A, E	00111	INC	DE	
00052	CP	28H	00112	LD	B, D	
00053	JR	NC, ST	00113	LD	C, E	
00054	DI		00114	INC	BC	
00055	PUSH	AF	00115	EXX		
00056	LD	(HL2), A	00116	INI3	LD	BC, 0064H
00057	LD	(IY+18), A	00117	CALL	4038H	
00058	LD	HL, IX1	00118	LD	A, (IY+33H)	
00059	ADD	A, (HL)	00119	RES	6, A	
00060	LD	(HL4), A	00120	LD	(IY+33H), A	

00121		OUT	(10H),A	00181	IN10	INC	HL
00122		LD	BC,0064H	00182		JP	IN11
00123		CALL	4038H	00183	IN11	JP	IN12
00124		LD	IX,IX1	00184	IN12	IN	A,(12H)
00125	INI1	LD	L,(IY+0EH)	00185		LD	A,20H
00126		LD	H,(IY+0FH)	00186		XOR	D
00127		LD	D,(IY+33H)	00187		RL	C
00128		LD	B,9AH	00188		JP	NC,IN13
00129		CALL	INI4	00189		OUT	(10H),A
00130		LD	(IY+33H),D	00190		XOR	20H
00131		EXX		00191		LD	D,A
00132		LD	A,(IX+01)	00192		DEC	HL
00133		INC	IX	00193		OUT	(10H),A
00134		LD	(DE),A	00194		JP	IN14
00135		ADD	A,(HL)	00195	IN13	OUT	(10H),A
00136		LD	(BC),A	00196		XOR	00
00137		LD	A,(DE)	00197		LD	D,A
00138		EXX		00198		DEC	HL
00139		CP	0FFH	00199		OUT	(10H),A
00140		JP	NZ,INI1	00200		JP	IN14
00141		CALL	400BH	00201	IN14	INC	HL
00142		EI		00202		JP	IN15
00143		JP	ST	00203	IN15	JP	IN16
00144	INI4	LD	C,(HL)	00204	IN16	IN	A,(12H)
00145		LD	A,20H	00205		LD	A,20H
00146		XOR	D	00206		XOR	D
00147		RL	C	00207		RL	C
00148		JP	NC,INI5	00208		JP	NC,IN17
00149		OUT	(10H),A	00209		OUT	(10H),A
00150		XOR	20H	00210		XOR	20H
00151		LD	D,A	00211		LD	D,A
00152		DEC	HL	00212		DEC	HL
00153		OUT	(10H),A	00213		OUT	(10H),A
00154		JP	INI6	00214		JP	IN18
00155	INI5	OUT	(10H),A	00215	IN17	OUT	(10H),A
00156		XOR	00	00216		XOR	00
00157		LD	D,A	00217		LD	D,A
00158		DEC	HL	00218		DEC	HL
00159		OUT	(10H),A	00219		OUT	(10H),A
00160		JP	INI6	00220		JP	IN18
00161	INI6	INC	HL	00221	IN18	INC	HL
00162		JP	INI7	00222		JP	IN19
00163	INI7	JP	INI8	00223	IN19	JP	IN20
00164	INI8	IN	A,(12H)	00224	IN20	IN	A,(12H)
00165		LD	A,20H	00225		LD	A,20H
00166		XOR	D	00226		XOR	D
00167		RL	C	00227		RL	C
00168		JP	NC,INI9	00228		JP	NC,IN21
00169		OUT	(10H),A	00229		OUT	(10H),A
00170		XOR	20H	00230		XOR	20H
00171		LD	D,A	00231		LD	D,A
00172		DEC	HL	00232		DEC	HL
00173		OUT	(10H),A	00233		OUT	(10H),A
00174		JP	IN10	00234		JP	IN22
00175	INI9	OUT	(10H),A	00235	IN21	OUT	(10H),A
00176		XOR	00	00236		XOR	00
00177		LD	D,A	00237		LD	D,A
00178		DEC	HL	00238		DEC	HL
00179		OUT	(10H),A	00239		OUT	(10H),A
00180		JP	IN10	00240		JP	IN22



00241	IN22	INC	HL	00301	IN34	INC	HL
00242		JP	IN23	00302		INC	HL
00243	IN23	JP	IN24	00303		NOP	
00244	IN24	IN	A, (12H)	00304		DEC	B
00245		LD	A, 20H	00305		JP	NZ, INI4
00246		XOR	D	00306		RET	
00247		RL	C	00307	HL1	ADD	A, B
00248		JP	NC, IN25	00308		ADD	A, B
00249		OUT	(10H), A	00309		ADD	A, B
00250		XOR	20H	00310		ADD	A, B
00251		LD	D, A	00311		ADD	A, B
00252		DEC	HL	00312		ADD	A, B
00253		OUT	(10H), A	00313		NOP	
00254		JP	IN26	00314		CP	0E7H
00255	IN25	OUT	(10H), A	00315		DEFB	18H
00256		XOR	00	00316		DEFB	0C3H
00257		LD	D, A	00317	HL2	NOP	
00258		DEC	HL	00318	HL3	NOP	
00259		OUT	(10), A	00319	HL4	NOP	
00260		JP	IN26	00320		ADD	A, B
00261	IN26	INC	HL	00321		ADD	A, B
00262		JP	IN27	00322		ADD	A, B
00263	IN27	JP	IN28	00323		ADD	A, B
00264	IN28	IN	A, (12H)	00324		ADD	A, B
00265		LD	A, 20H	00325		NOP	
00266		XOR	D	00326		JP	0E718H
00267		RL	C	00327		DEFB	0FEH
00268		JP	NC, IN29	00328	IX1	DEFB	0
00269		OUT	(10H), A	00329		DEFB	8
00270		XOR	20H	00330		DEFB	1
00271		LD	D, A	00331		DEFB	9
00272		DEC	HL	00332		DEFB	2
00273		OUT	(10H), A	00333		DEFB	0AH
00274		JP	IN30	00334		DEFB	3
00275	IN29	OUT	(10H), A	00335		DEFB	0BH
00276		XOR	00	00336		DEFB	4
00277		LD	D, A	00337		DEFB	0CH
00278		DEC	HL	00338		DEFB	5
00279		OUT	(10H), A	00339		DEFB	0DH
00280		JP	IN30	00340		DEFB	6
00281	IN30	INC	HL	00341		DEFB	0EH
00282		JP	IN31	00342		DEFB	7
00283	IN31	JP	IN32	00343		DEFB	0FH
00284	IN32	IN	A, (12H)	00344		DEFB	255
00285		LD	A, 20H	00345	MES1	DEFB	1FH
00286		XOR	D	00346	*	SINGLE TRACK FORMATT*	
00287		RL	C	00347		DEFB	0DH
00288		JP	NC, IN33	00348	*	BY D. MITCHELL*	
00289		OUT	(10H), A	00349		DEFB	0DH
00290		XOR	20H	00350	*	ENTER TRACK NUMBER :*	
00291		LD	D, A	00351		NOP	
00292		DEC	HL	00352	WP	EQU	\$
00293		OUT	(10H), A	00353		DEFB	13
00294		JP	IN34	00354	*	REMOVE WRITE PROTECT LA*	
00295	IN33	OUT	(10H), A	00355	*BEL*		
00296		XOR	00	00356		DEFB	13
00297		LD	D, A	00357	*	PRESS RETURN*	
00298		DEC	HL	00358		DEFB	13
00299		OUT	(10H), A	00359		NOP	
00300		JP	IN34				

## Connecting Machine Code to Basic.

I HAVE WRITTEN ABOUT MY FAST BASIC TECHNIQUE AND USED IT IN MY LIVENUP AND SOUND SERIES OF PROGRAMS FOR THE VZ. IT IS A HYBRID LANGUAGE. A NUMBER OF USERS HAVE ALSO ASKED HOW IT IS DONE. I WILL ENDEAVOUR TO PROVIDE AN INTERESTING AND ILLUMINATING DISCUSSION OF THE TECHNIQUE.

THIS IS AN INVITATION TO EXPLORE THIS SIGNIFICANT ENHANCEMENT OF NORMAL BASIC. FOR PROGRAMMERS WHO ARE LOOKING FOR BETTER (SMARTER OR FASTER) WAYS TO WRITE PROGRAMS, THEN THIS IS OF INTEREST. ALSO, FOR BASIC PROGRAMMERS WHO ARE WRESTLING WITH Z80 MACHINE CODE, THEN FAST BASIC PROVIDES AN IDEAL INTRODUCTION.

TO FULLY UNDERSTAND FAST BASIC WE NEED TO EXPLORE -

1. HOW A BASIC PROGRAM IS STRUCTURED IN MEMORY,
2. HOW TO RESERVE AN AREA OF MEMORY FOR MACHINE CODE, AND
3. UNDERSTAND HOW TO CONNECT MACHINE CODE WITH A BASIC PROGRAM.

BEFORE I COMMENCE, IT IS WORTH MENTIONING SOME BOOKS, THAT MOST USERS WILL HAVE IN THEIR COLLECTIONS AND THAT WILL REINFORCE THE EXPLANATIONS THAT I PROVIDE. THE DSE TECHNICAL MANUALS FOR THE VZ 200 AND 300 (1983 AND 1985) ARE USEFUL. STEVE OLNEY'S BOOK (1987) ON ASSEMBLY LANGUAGE FOR BEGINNERS IS ALSO VERY USEFUL ON THESE TOPICS.

FOR A WELL-PACED INTRODUCTION TO Z80 ASSEMBLY LANGUAGE PROGRAMMING, THE TWO TANDY/RADIO SHACK BOOKS BY BILL BARDEN (1979 AND 1982) FOR THE TRS-80 ARE AS GOOD AS ANY, PARTICULARLY SINCE THE ROM IN THE TRS-80 AND VZ IS VERY SIMILAR. YOU MAY HAVE TO HUNT AROUND FOR COPIES OF THESE BOOKS AS THEY ARE OUT OF PRINT.

LET'S START BY LOOKING AT THE STRUCTURE OF A BASIC PROGRAM IN MEMORY.

### 1. FIVE BASIC TABLES & MEMORY UTILIZATION.

BY KNOWING THE ORGANIZATION OF A PROGRAM IN MEMORY, WE CAN MAKE IT PERFORM MORE EFFICIENTLY. ALTHOUGH YOU HAVE PROBABLY NEVER THOUGHT OF IT THIS WAY, (AND IT IS CERTAINLY NOT MENTIONED IN THE VZ MANUALS!), A BASIC PROGRAM RUNNING ON THE VZ ACTUALLY CONSISTS OF FIVE TABLES. BASIC PROGRAMMERS ARE VERY FAMILIAR WITH THE FIRST OF THESE, THE PROGRAM STATEMENT TABLE (PST), AS THIS IS THE ACTUAL TOKENIZED (COMPRESSED) PROGRAM, OR SOURCE, THAT IS WRITTEN.

THE OTHER TABLES ARE "WRITTEN" BY THE INTERPRETER WHEN THE PROGRAM IS EXECUTED. THE VARIABLE LIST TABLE (VLT) ACTUALLY CONSISTS OF TWO PARTS, THE SIMPLE VARIABLE TABLE (SVT) AND THE DIMENSIONED VARIABLE TABLE (DVT). THESE ARE POSITIONED ABOVE THE PST AND "GROW" AS THE PROGRAM EXECUTES AND "DISCOVERS" MORE VARIABLES - THAT IS THEY ARE DYNAMIC WHEREAS THE PST IS STATIC ONCE EXECUTION COMMENCES. (THE PST GROWS AS YOU WRITE THE PROGRAM).

THE REMAINING TWO TABLES ARE LOCATED BELOW THE TOP-OF-MEMORY (TOM). (FOR DOS SYSTEMS, THE TOM IS LOCATED BELOW THE DOS VECTOR) THE UPPERMOST ONE IS THE STRING AREA THAT STORES THE STRING VARIABLES USED BY A BASIC PROGRAM. NOTE THAT QUOTED STRINGS ARE STORED IN THE PST. THE NUMBER OF BYTES RESERVED IS FIXED BY THE CLEAR COMMAND AND THE DEFAULT IS 50 BYTES. IT IS A STATIC TABLE.

BELOW THE STRING AREA IS THE STACK WHICH "GROWS" DOWNWARDS IN MEMORY AND IS DYNAMIC OR CHANGEABLE. THE STACK IS USED BY THE Z80 FOR PUSHING AND POPPING REGISTERS AND ALSO BY THE BASIC PROGRAM TO KEEP TRACK OF GOSUB/RET AND FOR/NEXT CALLS.

THIS COMPLETES THE FIVE TABLES USED BY BASIC. THE INTERVENING AREA OF RAM BELOW THE STACK AND ABOVE THE VLT IS CALLED FREE SPACE LIST (FSL) OR UNUSED MEMORY. IT IS BOUNDED ABOVE AND BELOW BY DYNAMIC TABLES (STACK AND VLT) AND THE SIZE OF FSL CHANGES AS PROGRAM EXECUTION PROCEEDS.

(YOU MAY WANT TO READ THE PRECEDING PARAGRAPHS A FEW TIMES, AS IT GIVES A RATHER "DIFFERENT" VIEW OF A BASIC PROGRAM TO WHAT YOU ARE PROBABLY USED TO.)

A MEMORY MAP OF THIS SITUATION WITH THE <POINTERS> INDICATING THE START AND END OF THE VARIOUS TABLES WOULD BE AS FOLLOWS -

	=====	<IY REG>
	TOP OF PHYSICAL MEMORY	
	DOS VECTOR ON DISK SYSTEMS	
B	=====	<78B1/2H>
A	STRING AREA	
S	-----	<78A0/1H>
I	STACK	
C	-----	<78E8/9H>
W	FREE SPACE LIST	
O		
R	-----	<78FD/EH>
K	DIM'D VARIABLE TABLE	
	-----	<78FB/CH>
A	SIMPLE VARIABLE TABLE	
R	-----	<78F9/AH>
E	PROGRAM STATEMENT TABLE	
A	=====	<78A4/5H>
	COMMUNICATION AREA	
	-----	7800H
	VIDEO RAM	
	-----	7000H

ALL OF THESE SUBDIVISIONS OF RAM USED BY BASIC ARE NOT FIXED AND MOVE UP AND DOWN DEPENDING UPON WHAT ACTIONS ARE PERFORMED. INSERTING OR DELETING A LINE FROM A BASIC PROGRAM ALTERS THE SIZE OF THE PST. SIMILARLY, DEFINING A NEW VARIABLE, INCREASES THE LENGTH OF THE VLT. THE STRING AREA CAN ONLY BE CHANGED BY THE CLEAR STATEMENT AND THIS CAUSES THE RELOCATION OF THE STACK. THIS IS A VERY DRASTIC ACTION AND RESULTS IN A MAJOR "RESET" OF THE VARIOUS TABLES. HOW DOES THE INTERPRETER KEEP TRACK OF THESE TABLES?

SINCE THE ORIGIN OF THE TABLES MAY SHIFT, THEIR ADDRESSES ARE KEPT AS POINTERS IN THE COMMUNICATIONS AREA OF THE VZ. I TRUST THAT THERE IS BEGINNING, SOME DAWNING OF THE RELEVANCE OF INFORMATION GIVEN IN THE VZ TECHNICAL MANUALS.

ON PAGE 11 OR 20, OF THE VZ 200 OR 300 MANUAL RESPECTIVELY, THE VARIOUS POINTERS ARE GIVEN. OLNEY PAGE 125 AND 129-130 PROVIDES A CLEAR DESCRIPTION OF THE FOREGOING. IF YOU HAVE THESE PUBLICATIONS, THEN SPEND SOME TIME UNDERSTANDING THE STRUCTURE OF A BASIC PROGRAM IN MEMORY.

THE MANNER IN WHICH INFORMATION IS PACKED IN EACH TABLE IS A VERY INTERESTING TOPIC, BUT WILL BE LEFT FOR ANOTHER TIME AS IT IS NOT REQUIRED AT PRESENT.

## 2. RESERVING RAM FOR MACHINE CODE.

I WILL DISCUSS THE VARIOUS WAYS THAT MACHINE CODE (M/C) CAN BE LOCATED IN MEMORY ALONG WITH THE BASIC PROGRAM. THEY FALL INTO 4 TYPES-

- I. LOADED INTO RAM WITH THE BASIC PROGRAM - APPENDED OR EMBEDDED.
- II. POKED INTO RAM FROM THE BASIC PROGRAM - SET-UP TIME REQUIRED.
- III. ALREADY EXISTING IN ROM - READY TO RUN.
- IV. LOADED INTO RAM AS SEPERATE PROGRAMS - TWO OR MORE MODULES.

TYPE I. CAN BE LOCATED BELOW THE PST AND ABOVE THE COMMUNICATION AREA. THE COPYPRO PROGRAM OF LARRY TAYLOR USES THIS TECHNIQUE. METHOD 1 IN THE VZ TECHNICAL MANUALS DESCRIBE THE METHOD. METHOD 2 IN THE TECHNICAL MANUALS DESCRIBES HOW TO LOCATE M/C ABOVE THE PST AND BELOW THE VLT. OLNEY ON PAGE 47 ALSO DESCRIBES THIS TECHNIQUE. THE LATTER TECHNIQUE IS A BETTER METHOD THAN LOADING M/C BELOW THE PST. BOTH METHODS HAVE THE ADVANTAGE THAT A SINGLE MODULE, OF COMBINED M/C AND BASIC, IS LOADED INTO CO-JOINED MEMORY LOCATIONS.

TYPE II. METHODS HAVE A NUMBER OF VARIANTS. GENERALLY THE M/C IS HELD IN DATA STATEMENTS WITHIN THE BASIC PROGRAM LOCATED IN THE PST. THE THING THAT IS INTERESTING ABOUT THIS TECHNIQUE IS THAT THE M/C CAN BE POKED INTO THE BASIC PROGRAM AND EMBEDDED IN THE PST, POKED INTO FSL OR RESERVED MEMORY, OR PUT INTO THE VLT OR STRING AREA. IT IS OBVIOUSLY VERY FLEXIBLE.

TECHNIQUES THAT MODIFY THE PST IMPLY THAT THE POKEING OF THE M/C NEED ONLY BE DONE ONCE AND THAT IT IS SUBSEQUENTLY LOADED ALONG WITH THE BASIC PROGRAM. THE OTHER TECHNIQUES ARE NOT PARTICULARLY MEMORY EFFICIENT, AS TWO COPIES OF THE M/C ARE HELD IN THE PST, IN THE DATA STATEMENTS, AND ALSO IN ITS RUN-TIME LOCATION. METHOD 3 IN THE VZ TECHNICAL MANUALS LOWERS THE TOP-OF-MEMORY TO CREATE A RESERVED ARE OF RAM BELOW THE DOS VECTOR AND ABOVE THE STRING AREA.

OLNEY ALSO DESCRIBES THE METHOD ON PAGES 37-38. FOLLOWING THIS LOWERING IT IS NECESSARY TO RESET ALL OF THE BASIC POINTERS WITH A CLEAR. (NOW YOU UNDERSTAND WHY!). THIS IS BY FAR AND WIDE THE BEST METHOD TO LOCATE M/C AS IT GIVES IT AN UNAMBIGUOUS AND PROTECTED AREA IN WHICH TO OPERATE. IT IS EASY TO DEBUG ALSO AS THE AREA CAN BE DISASSEMBLED IF REQUIRED. ONCE A RESERVED AREA OF MEMORY IS MADE, THE M/C CAN BE POKED IN AS IS DONE IN MY TONEGEN PROGRAM, OR IT MAY BE LOADED IN FROM DISK AS IS DONE WITH MOVEUP IN MY LIVENUP PROGRAM. THE MEMORY MAP FOR THIS ARRANGEMENT IS AS FOLLOWS -

=====	<IY REG>
TOP OF PHYSICAL MEMORY	
DOS VECTOR ON DISK SYSTEMS	
=====	
RESERVED TOM AREA	
	<788E/FH>
	<78B1/2H>
STRING AREA	
	<78A0/1H>
STACK	
	<78E8/9H>
FREE SPACE LIST	

CONTINUED NEXT ISSUE . . .

## BY JOHN LUXTON

WHO HAS A PRINTER THAT USES A HALF INCH OR 12MM PLASTIC BASE CARBON TAPE? WHO WOULD LIKE TO BE ABLE TO RELOAD THE CASSETTE AND SAVE A BUNDLE? WELL, IF YOUR PRINTER USES A CASSETTE WHICH EXPOSES ABOUT 26CM OF TAPE WHICH THE PRINT-HEAD WORKS ON, OR MAYBE OTHER CONFIGURATIONS, I MAY BE ABLE TO HELP.

MY PRINTER IS A COMPUTE MATE 130, MODEL CPB80. ACCORDING TO THE BOX OF A PELIKAN RIBBON I ONCE BOUGHT, THIS CARTRIDGE IS USED BY QUITE A NUMBER OF PRINTERS INCLUDING A COMMODORE 4023 P, A SEKONIC, SHINWA AND PROBABLY OTHERS. A GLANCE AT A CATALOGUE REVEALS MANY OTHER SIMILAR TYPES. ALSO THE CARTRIDGE I USE HAS A PROJECTING KNOB AT THE PINCH ROLLER END FOR MANUAL REWINDING. THE OPPOSITE SIDE HAS THE SOCKET WHICH IS ENGAGED BY THE PRINTER MECHANISM FOR ADVANCING THE RIBBON.

LAST YEAR WHEN WE WERE IN SYDNEY I GOT A YELLOW PAGES TO SEE IF I COULD FIND A SUPPLIER OF BULK RIBBON TO REFILL SPENT CARTRIDGES. AFTER A FEW DISCOURAGING CALLS I DISCOVERED A FIRM, LAZARUS RIBBONS, OF 70 WOLSELEY RD., MOSMAN, 2088, PHONE (02) 960 2737, WHO WOULD SELL ME A 1000 FOOT ROLL OF RIBBON FOR A REASONABLE PRICE. THEY WERE AWAITING STOCK FROM THE U.S.A., SO IN DUE COURSE I RECEIVED THE ROLL OF RIBBON POSTED TO MY HOME FOR \$29.73 ALL UP!

I FIRST EXPERIMENTED BY REMOVING THE TOP OF THE CARTRIDGE BY THE JUDICIOUS USE OF A KNIFE. THESE TOPS ARE HELD BY DOWELS, OR OCCASIONALLY WITH SMALL SCREWS AND DOWELS, BUT CAN BE REMOVED WITH CARE. HOWEVER THIS METHOD IS NOT RECOMMENDED, AS SPRINGS AND THINGS CAN CAUSE PROBLEMS. THE BETTER WAY TO GO ABOUT THE JOB IS TO PULL OUT THE RIBBON FROM THE DELIVERY END UNTIL THE CARTRIDGE IS EMPTIED.

BEFORE PROCEEDING A FEW THINGS ARE REQUIRED TO DO THE JOB. A VIDEO/AUDIO TAPE SPLICING JIG, TANDY CAT. NO. 44-9570 AT ABOUT \$6.95 IS HANDY. I PREFER THE WIDER 3M MAGIC MENDING TAPE, BUT HALF INCH VIDEO SPLICING TAPE IS O.K. A SHARPER RAZOR BLADE THAN SUPPLIED BY TANDY IS ALSO USEFUL. WINDING THE NEW RIBBON INTO THE CARTRIDGE CAN BE DONE MANUALLY, BUT TAKES TIME. I USE MY NEWLY ACQUIRED MAKITA CORDLESS DRILL COME SCREWDRIVER, SET IN REVERSE. IT IS SLOW ENOUGH, BUT DOES THE JOB VERY EFFICIENTLY.

WHEN THE TAPE IS ALL EMPTIED FROM THE CARTRIDGE, CUT THE TAPE ACROSS THE FRONT, AND SPLICE ON THE END OF THE REPLACEMENT TAPE. MAKE A GOOD SPLICE AND TRIM ANY EXCESS STICKY TAPE, THEN PULL THE NEW RIBBON THROUGH THE CARTRIDGE FROM THE DELIVERY END. IF YOUR SPLICE WAS FAULTY AND BREAKS INSIDE, YOU WILL HAVE TO TAKE THE LID OFF AND FEED THE TAPE THROUGH, MAKING SURE YOU DON'T END UP WITH SPRINGS AND PINCH ROLLERS EVERYWHERE.

PULL OUT A FOOT OR SO OF THE NEW RIBBON, THEN DEVISE A WAY OF MEASURING OFF THE REQUIRED AMOUNT FROM THE ROLL. USE CLEAN BOXES OR SUCH TO HOLD THE LOOSE RIBBON AND KEEP IT CLEAN. I HAVE FOUND THAT THE CARTRIDGES I USE HOLD FROM 25 TO 30 METRES. IT SEEMS TO VARY A BIT. YOU CAN BEST WORK OUT YOUR OWN METHOD OF MEASURING THE REQUIRED LENGTH.

NOW TO LOAD THE NEW RIBBON INTO THE CARTRIDGE. THE WINDER KNOB ON MY CARTRIDGES GOES ANTI-CLOCKWISE, SO I HAVE TO SET REVERSE ON THE DRILL, FASTEN THE CHUCK TO THE WINDING KNOB WITHOUT USING UNDUE FORCE. THEN I HOLD THE CARTRIDGE VERTICALLY WITH THE DELIVERY END BETWEEN MY KNEES, AND HOLDING THE DRILL IN MY RIGHT HAND COMMENCE LOADING, GUIDING THE TAPE THROUGH MY LEFT HAND TO AVOID ANY KINKING.

WHEN A COUPLE OF FEET OF RIBBON ARE LEFT, UNCHUCK THE DRILL. THEN CAREFULLY SPLICE EACH END, TAKING CARE NOT TO TWIST THE RIBBON, AND PUTTING THE SPLICING TAPE ON THE SHINY SIDE. IF USING THE WIDER TAPE, CAREFULLY TRIM WITH SHARP SCISSORS ANY STICKY TAPE EITHER SIDE OF THE RIBBON, THEN WIND THE EXCESS INTO THE CARTRIDGE. I SOMETIMES AGAIN CHUCK UP THE DRILL AND RUN THE RIBBON THROUGH TO CHECK ON THE SPLICE, BUT IF QUALITY SPLICING TAPE IS USED, THERE SHOULD BE NO WORRY. AT THE MOMENT I HAVE RELOADED 4 CARTRIDGES, AND FIND THAT I CAN DO ONE UNDER 20 MINUTES.

THE SAVINGS ARE OBVIOUS. AT LEAST 10 CARTRIDGES CAN BE RELOADED FROM A 1000 FOOT ROLL OF RIBBON. DEPENDING WHERE I BUY RIBBON CARTRIDGES, AND THE BRAND, THE COST CAN AVERAGE, SAY, \$20. THAT'S AN OUTLAY OF AROUND \$200 AGAINST THE \$30 I PAID FOR THE ROLL OF RIBBON. SO FAR I CAN'T VOUCH FOR THE QUALITY OF THE RIBBON, BUT WAS ASSURED IT WAS BEST QUALITY FROM THE U.S.A.

I FOUND IT ADVISABLE TO MAKE UP A COUPLE OF CHEEKS THE SIZE OF THE ROLL FROM MASONITE. THE HOLE IN THE CENTRE OF THE ROLL WAS ONE AND A HALF INCHES, SO I CUT A CIRCLE FROM HALF INCH PINE BOARD WITH A HOLE CUTTER, AND USED THE PIECE FOR THE CENTRE OF THE ROLL. FORTUNATELY I HAVE A LATHE TO FINISH AND SAND THE CHEEKS AND CENTRE TO SIZE. POSSIBLY THE RIBBON CAN BE SPOOLED OFF WITHOUT SPILLING, BUT I TOOK NO CHANCES. A QUARTER INCH MACHINE SCREW AND NUT FINISHED OFF THE JOB.

AS I INDICATED, I CAN ONLY SPEAK FOR THE CARTRIDGE USED IN MY PRINTER, BUT I SHOULD IMAGINE THAT MOST TYPES OF CARTRIDGE CONTAINING PLASTIC HALF INCH RIBBON CAN BE DEALT WITH THIS WAY. COULD BE AN OPENING FOR A COTTAGE INDUSTRY!

### DOUBLE PRECISION ARITHMETIC BY NEVILLE HUGHES

WELL I HAVE FOUND A VZ 200/300 BASIC ROM FUNCTION THAT IS NOT MENTIONED IN ANY OF MY LITERATURE ON COMPUTERS. THE HASH SYMBOL (#) AFTER THE LAST NUMBER IN A MATHEMATICAL SUM GIVES YOU 'DOUBLE PRECISION' IN THE ANSWER UP TO 14 FIGURES IN SAID ANSWER. TRY THE FOLLOWING:

```
2222 * 2222          <RETURN> - ANSWER IS 4.93728E+06
2222 * 2222#        <RETURN> - ANSWER IS 4937284
2222222 * 2222222  <RETURN> - ANSWER IS 4.93827E12
2222222 * 2222222# <RETURN> - ANSWER IS 4938270617284
```

MUCH MORE ACCURATE WHEN YOU HAVE MORE THAN SIXTEEN FIGURES IN THE ANSWER YOU GET A D+OR-05 OR WHATEVER. THE 'D' STANDS FOR DOUBLE PRECISION. HAVE FUN WITH THIS, I SURE HAVE. NEVILLE HUGHES.

NEVILLE IS RIGHT UP TO A POINT, THE '#' SYMBOL WAS NOT IN GENERAL LITERATURE THAT CAME WITH THE VZ. COLIN BRIDGE, A LOCAL MEMBER REMINDED ME THAT THERE WAS AN ADDENDUM THAT CAME WITH SOME VZ 300'S ON HOW TO ACHIEVE DOUBLE PRECISION ARITHMETIC WHICH IS REPRODUCED BELOW.

### DOUBLE PRECISION ARITH. ADDENDUM

THIS IS A RECOMMENDED METHOD FOR THOSE USERS WHO WANT TO USE THE COMPUTER TO DO DOUBLE PRECISION ARITHMETICS. THE SIMPLE EXAMPLE BELOW SHOWS THE IMPLEMENTATION.

```

10 CLEAR 100
20 AS=STR$(10/9#)
30 PRINT"A =";A$
40 BS=STR$(VAL(A$)*VAL(A$))
50 PRINT"A * A";B$

```

IN LINE 10, THE PROGRAM RESERVES 100 BYTES FOR STRING OPERATION. IN LINE 20, THE VARIABLE IS DEFINED AS A STRING WITH AN EQUIVALENT VALUE OF 10/9. THE '#' SIGN FOLLOWING 10/9 TELLS THE COMPUTER THAT THE VALUE 10/9 SHOULD BE IN DOUBLE PRECISION REPRESENTATION.

LINE 30 PRINTS OUT THE VALUE OF 10/9 IN DOUBLE PRECISION VALUE. IN LINES 40 AND 50, THE VALUE OF 10/9\*10/9 IS CALCULATED AND PRINTED OUT IN DOUBLE PRECISION VALUE.

TYPE "RUN" AND THE COMPUTER WILL HAVE THE RESULT AS FOLLOWING.

```

RUN
A = 1.1111111111111111
A*A= 1.234567901234568

```

## DOUBLE PRECISION ARITH. IN USE

ALTHOUGH THE ABOVE WORKS AS DESCRIBED, THERE IS AN EASIER WAY SIMILAR TO WHAT NEVILLE WAS USING AND YOU DON'T HAVE TO USE THE STR\$ AND VAL FUNCTIONS. IN THE MEANTIME TYPE IN THE DEMONSTRATION PROGRAM BELOW AND SEE FOR YOURSELF.

**NOTE:** USE POKES TO DEFINE VARIABLES IN LINES 20 TO 40 AS SHOWN IN REM STATEMENTS IF YOU HAVEN'T AN EXTENDED BASIC.

```

10 CLS:PRINT
20 DEFINT A:A=1/3:PRINT A;TAB(20)"INT":REM ... POKE 30977,2
30 DEFSNG B:B=1/3:PRINT B;TAB(20)"SNG":REM ... POKE 30978,4
40 DEFDBL C:C=1/3:PRINT C;TAB(20)"DBL":REM ... POKE 30979,8
50 C0=1/3#:PRINT C0;TAB(20)"DBL"
60 BZ=1#/3:PRINT BZ;TAB(20)"SNG"

```

RUN <RETURN>

```

0          INT; LINE 20
.333333    SNG; LINE 30
.33333333432674408 DBL; LINE 40
.33333333333333333 DBL; LINE 50
.333333    SNG; LINE 60

```

LINE 20 DEFINES A AS AN INTEGER VARIABLE AND PRINTS RESULT.

LINE 30 DEFINES B AS A SINGLE PRECISION VARIABLE AND PRINTS RESULT.

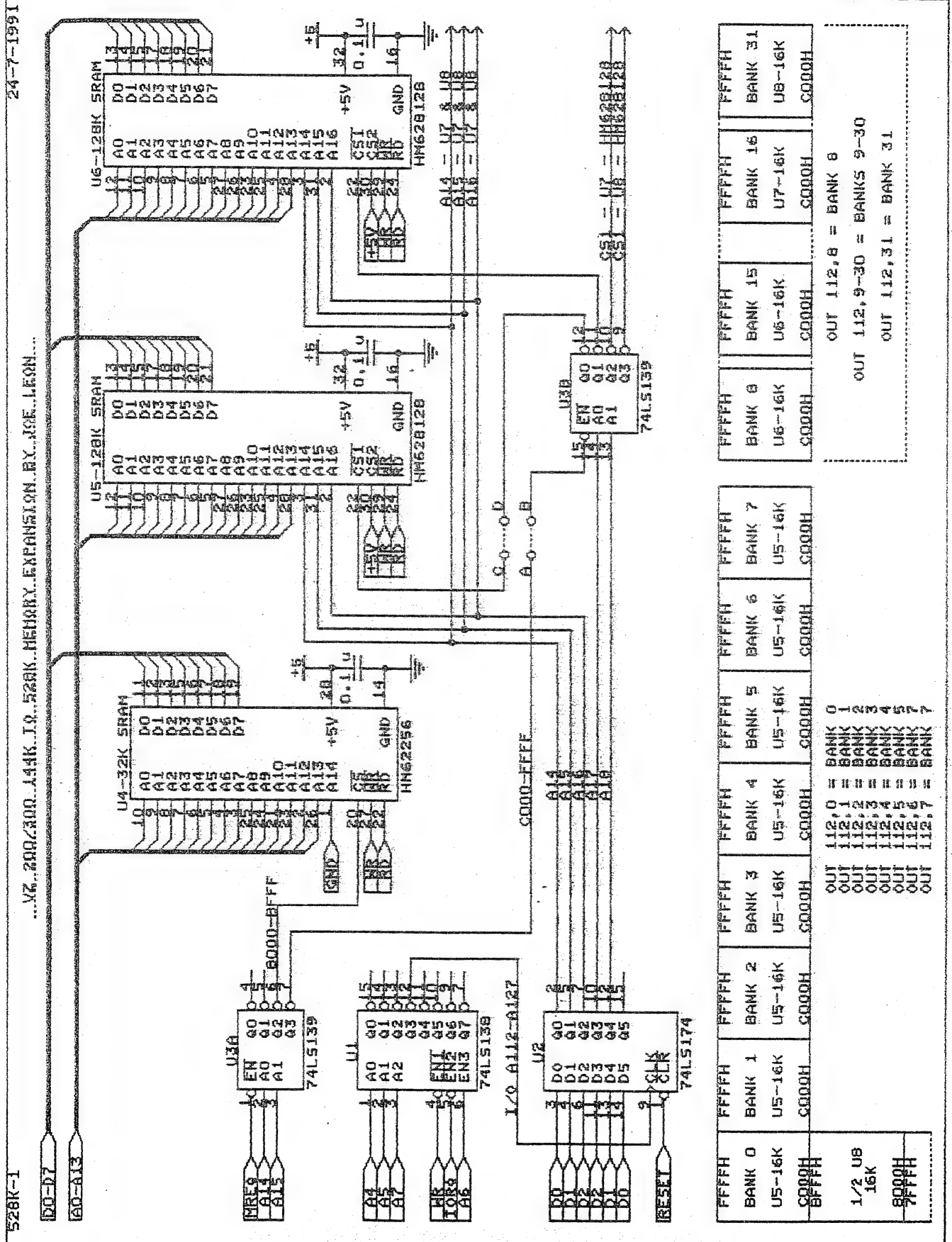
LINE 40 DEFINES C AS A DOUBLE PRECISION VARIABLE AND PRINTS RESULT.

LINE 50: THE '#' SYMBOL IS USED FOR INCREASED ACCURACY.

LINE 60: ALTHOUGH THE '#' SYMBOL WAS USED IN THE FORMULA THE RESULT IS SINGLE PRECISION BECAUSE LINE 30 DEFINED ANY VARIABLE STARTING WITH 'B' AS SINGLE PRECISION.

**NOTE:** ONLY A DOUBLE PRECISION VARIABLE CAN HOLD A DOUBLE PRECISION SUM.

EXPANSION BY JOE LEON



528K-1

24-7-1991

...VZ 200/300 144K I.R. 528K MEMORY EXPANSION BY JOE LEON...



**530K:** THAT'S A LOT OF MEMORY FOR THE HUMBLE VZ AND WOULD SHAME MANY A COMPUTER. THE MEMORY IS MADE UP IN THE FOLLOWING WAY:

- 7800H-7FFFH (30720D-32767D) - START OF USER MEMORY.
- 8000H-BFFFH (32768D-49151D) - U4-32K SRAM (ONLY 16K USED).
- C000H-FFFFH (49152D-65535D) - U5-U8-128K SRAM/S.

MOST WOULD ONLY ENABLE 144K (32K+128K) OF MEMORY LIKE I DID AND IS ADDITIONAL MEMORY THEY WOULD HARDLY EVER USE. AND NOW TO THE CIRCUIT.

**U1-74LS138:** THIS 3 OF 8 DECODER IC IS THE SAME AS USED IN THE 64K RAM PACK AND DECODES I/O ADDRESS 112-127 AND IS USED TO INITIATE BANK SWITCHING.

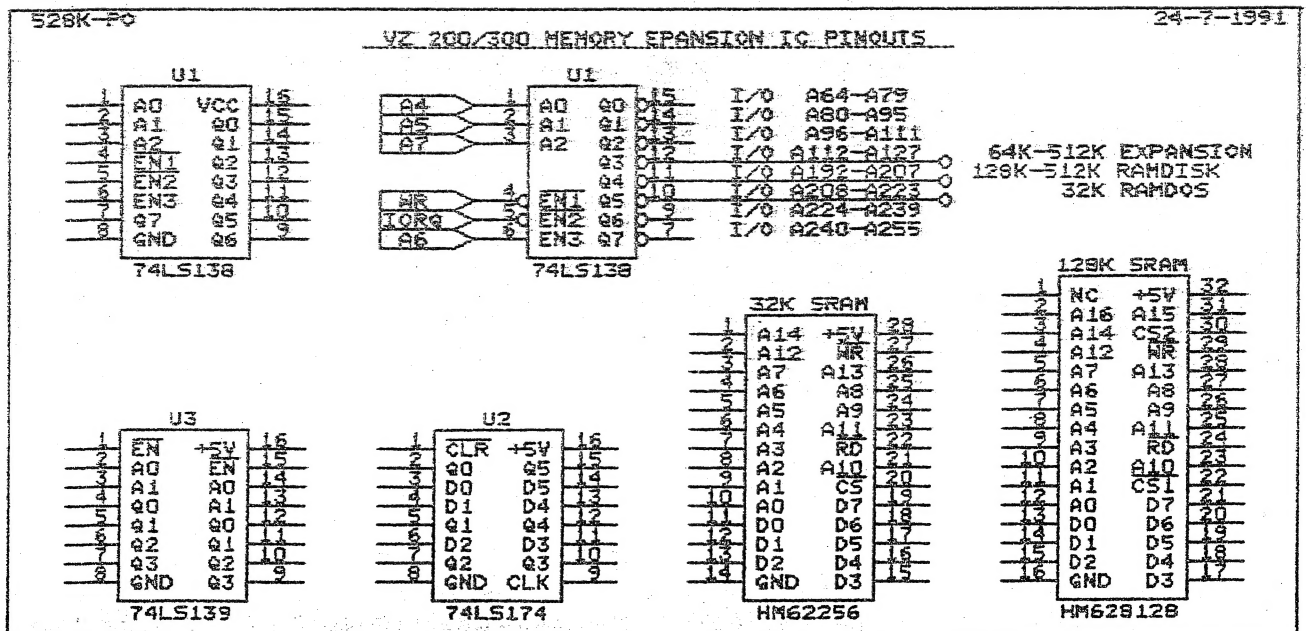
**U2-74LS174:** THIS 6 BIT LATCH IS ACTIVATED BY U1 AND GENERATES THE EXTRA ADDRESS LINES NEEDED FOR BANK SWITCHING. O/P'S Q0-Q2 GENERATE A14-A16 AND IS USED TO BANK SWITCH U5-U8. AT POWER UP OR RESET ALL BITS ARE LO SO BANK 0 IN U5 IS SELECTED.

**U3A-1/2 74LS139:** THIS 1 OF 3 DECODER IC IS DESIGNED TO DECODE IN 16K BLOCKS AND THE FIRST 2 O/P'S AREN'T USED. Q2 ENABLES U4 VIA ITS CS BAR (CHIP SELECT) IN THE ADDRESS RANGE 8000H-BFFFH. Q3 SELECTS THE BANK SWITCHING ADDRESS RANGE OF C000H-FFFFH.

**U3B-1/2 74LS139:** THE 2ND HALF OF THIS IC IS USED TO SELECT 1 OF 4 (U5-U8) 128K SRAMS AND ONLY ONE CAN BE SELECTED AT ANY ONE TIME. U2-Q3 & Q4 (A17 & A18) CONTROL WHICH 128K SRAM IS SELECTED. WITH ALL BITS LO ON U2, Q0 ON U3B GOES LO AND ENABLES U5 VIA ITS CS.

**U3B-OPTIONAL:** IF YOU WANT TO USE ONLY ONE 128K SRAM THEN YOU CAN BYPASS U3B. CUT LINK BETWEEN C & D AND CONNECT A TO C. LEAVE IN LINK BETWEEN A & B THOUGH AS IT WILL HAVE NO EFFECT ON CIRCUIT AND WILL SAVE FROM CONNECTING B TO +5V. IF YOU WANT TO ADD MORE 128K SRAMS CHIPS LATER THEN CHANGE LINKS BACK TO ORIGINAL CIRCUIT.

**74LSXX IC'S:** ALTHOUGH 74LSXX CHIPS ARE SHOWN, USE 74HCT138, 74HCT139 & 74HCT174 INSTEAD IF YOU CAN GET THEM AS THEY HAVE A LOWER POWER CONSUMPTION, BUT THEY ARE A LITTLE BIT DEARER.



**CONSTRUCTION GUIDE:** AT THIS TIME I CAN ONLY GIVE A ROUGH GUIDE. I USED DAVID NECOMBES'S 32K RAM BOARD (SEE ISSUE # 20, PAGE 9) TO CONSTRUCT MY PROTOTYPE. I LEFT 2 X 8K SRAMS (IC 1 & 2) OCCUPYING 8000H-BFFFH MEMORY LOCATIONS. U1-U3 WERE PLACED ON A PIECE OF VEROBOARD. U4 WAS NOT REQUIRED.

IN IC 4'S PLACE I INSTALLED A 32 PIN (CUT DOWN FROM 40) IC SOCKET WITH PINS 1, 2, 3, 28, 31 AND 32 BENT OUT AT RIGHT ANGLES. THAT WAY THE REQUIRED CONNECTIONS WERE MADE TO THE SOCKET PINS AND NOT TO THE PINS OF THE 128K SRAM WHICH IS A BIT ON THE EXPENSIVE SIDE.

**VZ 200 SUPER II BOARD:** A SIMILAR PROCEDURE COULD BE USED WITH THIS BOARD AS WELL. MY APOLOGIES FOR NOT GIVING MORE CONSTRUCTION DETAILS AT THIS TIME AS I DIDN'T HAVE TIME TO PREPARE MORE COMPREHENSIVE DETAILS.

**144K-512K PCB:** THE INTENTION IS TO EVENTUALLY PRODUCE A PCB FOR ABOVE WHICH WILL HAVE PROVISION FOR 1 X 32K AND 2 X 128K SRAMS (272K TOTAL). IT WILL ALSO ACCEPT A PIGGY BACK PCB WHICH WILL CONTAIN MY RAM DISK CONTAINING 32K SRAM AT 6000H-67FFH-RAM DOS AND 128K-256K AT 4000H-5FFFFK-RAM DISK (288K TOTAL). ADDING BOTH TOGETHER THE GRAND TOTAL WOULD BE 560K OF MEMORY IN ONE PLUG IN CARTRIDGE FOR THE VZ.

**BANK ARRANGEMENT:** THE 64K RAM EXPANSION HAS BANK 0 FIXED AT ADDRESS 8000H-BFFFH AND USES COMPLEX DECODING TO ACHIEVE IT. ALSO SELECTING BANK 0 WILL ACTUALLY GET YOU BANK 1.

MY 144K-512K DESIGN HAS ALL 8-32 BANKS OCCUPYING ADDRESS RANGE C000H-FFFFH. ALL PROGRAMS WRITTEN FOR THE 64K RAM PACK WILL WORK ON MY DESIGN BUT YOU WILL BE ABLE TO ACCESS BANKS 1-3 ONLY. MOST PROGRAMS WILL BE FAIRLY EASY TO MODIFY FOR FULL USE AS IT'S JUST A MATTER OF ADDING EXTRA OUT 112,X COMMAND/S TO SELECT DESIRED BANK/S.

**U4-32K SRAM:** ONLY 16K OF U4 IS USED AND THE OTHER 16K IS DISABLED BY CONNECTING PIN 1-A14 LO. DOING IT THIS WAY MADE FOR A SIMPLER CIRCUIT USING LESS DECODING IC'S.

**IC PINOUTS:** TO MAKE CONSTRUCTION EASIER PINOUTS OF ALL IC'S USED ARE SHOWN. ALSO SHOWN ARE ALL THE DECODED I/O ADDRESSES OF U1 SOME OF WHICH WILL BE USED IN A FUTURE PROJECT.

#### **PURCHASING 32K & 128K MEMORY IC'S:**

THE ABOVE IC'S CAN BE PURCHASED FROM A FEW SUPPLIERS. THE CHEAPEST I FOUND SO FAR IS AVAILABLE FROM:

R-A-E INDUSTRIAL ELECTRONICS PTY LTD  
62 MOORE STREET AUSTINEMER NSW 2515  
PHONE: (022) 232 6933 FAX: (042) 68 1075

1 OFF HM628128LP-10 128K X 8 CMOS SRAM - \$27.83+20%=\$33.40  
1 OFF HM62256LP-12 32K X 8 CMOS SRAM - \$5.70+20%=\$6.84  
POST & PACKING: REGISTERED MAIL: \$3.50 OVERNIGHT COURIER: \$5.00

**NOTE:** THE PRICES QUOTED ARE FOR HM-LP (HITACHI MEMORY-LOW POWER) VERSIONS WHICH USE LESS CURRENT AND CAN BE BATTERY BACKED. PRICES AND AVAILABILITY COULD CHANGE SO CHECK FIRST BEFORE ORDERING.

THE TWO MEMORY CHIPS WILL SET YOU BACK ABOUT \$45.00 WHICH IS VERY CHEAP FOR 144K OF MEMORY FOR THE VZ. THAT'S CHEAPER THAN YOU CAN BUY THE VZ ITSELF NOW.

**E & F WP PATCH 3.3:** PATCH 3.3 WRITTEN BY DAVE MITCHELL WILL CONVERT YOUR E & F TAPE WORD PROCESSOR FOR FULL DISK USE WHILE RETAINING ALL ORIGINAL FUNCTIONS. IT ALSO HAS SHIFT LOCK AND PRINTER CONTROL CODES WHICH CAN BE IMBEDDED IN TEXT AND SAVED TO TAPE OR DISK.

**BSTWP.F:** THIS UTILITY PROVIDED WITH PATCH 3.3 WILL CONVERT BASIC PROGRAMS AND ED/ASS. SOURCE CODE FILES INTO WORD PROCESSOR FILES.

**PRICE:** AUS/NZ AU\$20.00 - UPDATE - AUS-\$10.00 - NZ-AUS\$11.00.

**EXTENDED DOS V1.3:** THESE COMMANDS ARE AT YOUR DISPOSAL: MERGE, DIRA, DIRB, DIRC, DIRD, OLD, OLD., DEC, HEX, MENU, CODE, LTAB, MOVE AND UPDATE, STATUSA AND LSTATUSA. STATUSA AND LSTATUSA ALSO WORKS WITH VERSION 1.0 DOS

**PRICE:** AU\$15.00 - POSTAGE INCLUDED

**MENU/FILE COPIER:** THIS UTILITY WILL READ YOUR DISK DIRECTORY AND PRESENT YOU WITH SEVERAL OPTIONS. USING THE CURSOR YOU CAN RUN/BRUN ANY PROGRAM OR SELECT FILE COPY, REN, ERASE, DRIVE 1 OR 2, ETC. BESIDES COPYING TEXT AND BINARY FILES ALL OTHER FILES CAN BE COPIED AS WELL EXCEPT FOR DATA FILES.

**PRICE:** AU\$15.00 - POSTAGE INCLUDED

**FOR PURCHASE OR INFORMATION CONTACT:**

**DAVE MITCHELL 24 ELPHINSTONE STREET  
NORTH ROCKHAMPTON QUEENSLAND 4701  
AUSTRALIA - PHONE: (079) 27 8519**

**\*\*\* PETER HICKMAN SOFTWARE \*\*\***

**VZ DISASSEMBLER:** WHAT, ANOTHER DISASSEMBLER? BUT, YOU HAVE ALREADY GOT ONE? THIS ONE IS DIFFERENT! THIS PROGRAM IS ENTIRELY WRITTEN IN MACHINE CODE. IT ACTUALLY RUNS ABOUT 40 TIMES FASTER THAN D.S.E.'S DISASSEMBLER (OR ANY ONE ELSE'S). IT WILL DISASSEMBLE ANY PROGRAM THAT YOU CAN BLOAD INTO MEMORY. IT WORKS WITH ANY VZ CONFIGURATION. IT DISASSEMBLES EVEN THE 88 EXTRA Z80 OPCODES THAT ZILOG DOESN'T ADMIT TO.

**PRICE:** AU\$25.00 - PRICE INCLUDES HARDCOPY MANUAL.  
TAPE AND DISK VERSIONS AVAILABLE.

**VZ MODEM SOFTWARE:** DID YOU WANT TO TALK TO OTHER COMPUTERS VIA A MODEM? DID YOU BUY THE DSE TERMINAL EPROM, ONLY TO DISCOVER THAT IT ONLY WORKS WITH TAPE. IT ONLY ALLOWS YOU TO PRINT FILES, NOT SAVE THEM OR SEND THEM!

YOUR PROBLEMS ARE SOLVED! THE HICKMAN BROTHERS, PETER AND ANDREW, HAVE A BRAND NEW PROJECT WHICH WILL ALLOW YOU TO SEND, RECEIVE & SAVE FILES VIA A MODEM. IT WORKS WITH DISK!

**SALE PRICE:** \$25.00 - INCLUDED ARE INSTRUCTIONS FOR THE HARDWARE MODIFICATIONS. A SMALL MODIFICATION IS NEEDED TO YOUR DISK CONTROLLER. YOUR USER GROUP MAY HELP YOU MODIFY YOUR COMPUTER TO USE THIS EXCITING NEW SOFTWARE!

THE MANUAL IS SUPPLIED ON DISK FOR PRINTING OUT WITH YOUR DISK VERSION OF E & F W/PROCESSOR. IF YOU DO NOT OWN AN E & F W/PROCESSOR THEN PLEASE ENCLOSE ANOTHER \$5.00 (TOTAL \$30.00) FOR PHOTOCOPYING AND POSTAGE OF THE MANUAL.

**FOR PURCHASE OR INFORMATION CONTACT:  
PETER HICKMAN PO BOX 8 WERRINGTON 2747**

\* \* CONTRIBUTIONS TO THE JOURNAL \* \*

IF YOU ARE THINKING OF CONTRIBUTING TO THE JOURNAL THE PREFERRED FORMAT IS BASIC LISTINGS, WORD PROCESSOR OR SOURCE CODE FILES ON TAPE OR DISK. FILES FROM THE FOLLOWING WORD PROCESSORS CAN BE ACCEPTED :-

E & F TAPE OR DISK PATCH 3.1-3.3, WORDPRO CARTRIDGE, WORDPRO PATCH, MOST SOURCE CODE FILES AND ALL QUICKWRITE WORD PROCESSOR FILES.

\* \* CLUB MEETINGS - ALL WELCOME \* \*

FIRST FRIDAY OF MONTH

\* \* FUTURE MEETINGS - NEW VENUE \* \*

FROM JULY 5 ON WE WILL MEET AT JOE LEON'S PLACE OR OTHER MEMBERS PLACES AS DECIDED BY MEMBERS.

AUGUST 2 CLUB MEETING AT

JOE LEON 22 DRURY STREET WALLSEND 2287 (049) 512 756

SEP 6 - OCT 4 - NOV 1 - DEC 3

CHECK WITH EDITOR OR LOCAL CLUB MEMBERS FOR SEPTEMBER DATE AND VENUE AS AT THIS TIME IT HASN'T BEEN FINALISED.

MEETINGS WILL BE ONCE A MONTH AS BEFORE WITH THE DATES BEING FIRST FRIDAY OF THE MONTH. BECAUSE OF SOME LOCAL MEMBERS HAVING TO WORK SHIFTWORK MEETING DATES WILL BE ADJUSTED TO ACCOMODATE THEM. SO PLEASE CHECK WITH JOE LEON FIRST BEFORE COMING OUT.

\* CLUB COMMITTEE & SUBSCRIPTIONS \*

PRESIDENT - ROSS WOODS - SECRETARY/EDITOR - JOE LEON  
COMMITTEE MEMBERS - GARY BULLEY - COLIN BRIDGE - PETER JONES

SUBSCRIPTION TO - Aust. - 3 ISSUES \$11.00 - 6 ISSUES \$21.00  
H.V.VZ JOURNAL - N. Z. - 3 ISSUES \$13.00 - 6 ISSUES \$26.00

FOR MORE INFORMATION CONTACT JOE LEON (049) 512 756  
HUNTER VALLEY VZ USERS GROUP - PO BOX 161 JESMOND 2299 AUSTRALIA

NOTE: PRICES INCLUDE POST & PACKING

\* \* VZ USER GROUPS & PUBLICATIONS \* \*

VZ DOWN UNDER - VZ MAGAZINE - 6 ISSUES - \$18.00 PER ANUM  
HARRY HUGGINS 12 THOMAS SREET MITCHAM VICTORIA 3132

-----  
WAVZ - WESTERN AUSTRALIA VZ USER GROUP  
GRAEME BYWATER PO BOX 388 MORLEY W.A. 6062

-----  
BRISBANE VZ USERS WORKSHOP - C/O 63 TINGALPA ST. WYNUM WEST 4178  
SOFTWARE FOR SALE - DISK MENU

-----  
SAPPHIRE PRODUCTIONS - VZ DISK MAGAZINE - \$20.00 PER ANUM  
CONTACT JASON OAKLEY PO BOX 600 TAREE NSW 2430

-----  
NOTE: WHEN WRITING TO ANY ABOVE OR H.V.VZ. USERS' GROUP FOR INFORMATION PLEASE ENCLOSE A S.S.A.E. OR NZ 2 INT. REPLY COUPONS.